



ZUMEX MOVIL

USER'S MANUAL

Pol. Ind. Moncada II
C/ La Closa 16, 46113-Moncada-(Valencia) España
Tel.: 34-961 301 251-Fax.: 34-961 301 255
<http://www.zumex.com>
E-mail: zumex@zumex.com

INDEX

- I TECHNICAL CHARACTERISTICS
 - II LOADING
 - III TRANSPORT
 - IV UNLOADING
 - V INSTALLATION AND USE
 - OPENING OF THE ZUMEX MOVIL
 - INSTALLATION
 - CLOSING OF THE ZUMEX MOVIL
- ¡¡WARNING!!
- DURING TRANSPORT
 - DURING INSTALLATION AND USE

I TECHNICAL CHARACTERISTICS

ZUMEX MOVIL

DIMENSIONS :

-OF PACKING LxHxW	2,20x2,20x2,30 m
-OF USE LxHxW	2,20x2,20x2,60 m
-OPENED LxHxW	2,20x2,40x2,84 m
NET WEIGHT, WITHOUT JUICER	375 Kg
NET WEIGHT, WITH JUICER	440 Kg
WEIGHT WITH JUICER AND FULL DEPOSITS	540 Kg
CAPACITY OF THE CLEAN WATER DEPOSIT	25 l
CAPACITY OF THE RESIDUAL WATER DEPOSIT	85 l
MAXIMUM POWER FOR TOTAL INSTALLATION	3.3 Kw

TOW

DIMENSIONS LxHxW	3.63x2.09x1.08 m
NET WEIGHT	280 Kg
MAXIMUM AUTHORIZED WEIGHT (Without brake)	750 Kg

II LOADING

First of all make sure of working on a horizontal surface.

1. Block the tow hooking it to the vehicle (photo 2) (see transport) or by any other means.
2. Release the closing devices (photo 2) of the back side of the tow and lower the back bar.
3. Take the ramps out.
4. Reposition the back bar of the tow fixing it with the closing devices.
5. Fit both pivots of the ramps with the fitting as shown (photo 4).
6. Release the closing devices of the front part (photo 5) and the tow will tilt upwards.
7. Unblock the winch to release the wire and hook it to the pulling ring of the ZUMEX MOVIL.
8. Remove the blockings of the ZUMEX MOVIL (see DIAGRAMS).
9. Turn the safety device of the winch so that it can be turned only in a way. Turn the winch handle making the wheels of the ZUMEX MOVIL turn on the ramps.
10. Once the ZUMEX MOVIL has been loaded, block the winch again, tilt the tow until it is in a horizontal position DO NOT UNHOOK THE WIRE OF THE ZUMEX MOVIL!
11. Get into the ZUMEX MOVIL and put the screw with a handle through the hole on the floor of the ZUMEX MOVIL to screw it in the tow (photo 9).
12. Put the ramps away, following the previous steps 2 and 4.
13. Make sure that the four closing devices are set and blocked.
14. Place the slings on the ZUMEX MOVIL (photo 10).
15. Slide each end of the slings through the tow handles (photo 11). With the tensor opened, slide the end of the slings through the slots of the pulley until it sticks out.
16. With alternative closing-opening movements, tense the four ends.

III TRANSPORT

8. Make sure that the vehicle is able and legally authorized to tow the ZUMEX MOVIL.
9. For a safe transport, the residual water and the clean water tanks must be empty. If they contain water, the maximum weight of the tow can be exceeded.
10. Lift the lance end turning the handle of the adjustable wheel of the tow until the lance end rests on the ball.
11. Turn the handle in the opposite way until the lance end rests on the ball and, at the same time, releases the latch of the closing device (photo 12) and lifts the lever. When the lance end is resting on the ball, put the lever on a horizontal position again and make sure that the latch blocks it.
12. Turn the handle of the adjustable wheel of the tow until it is lifted as far as possible, then loose the lever that blocks the axis of that wheel (photo 1) and lift the whole set as far as possible and tighten the lever hard again .
13. Connect the plug to the base of the vehicle and check out that all the lights work properly (photo 1 and 12).
14. Hook the safety chain.

IV UNLOADING

5. First of all make sure that you work on a horizontal surface.
6. Get into the ZUMEX MOVIL and remove the screw that has a handle indicated on point 11, section LOADING.
7. Pull the tensor closing device of the sling, fully open it and you will be able to unwind and release the sling.
8. Follow the steps of section LOADING in reverse order, taking care of not releasing the winch lever when you put down the ZUMEX MOVIL because if you turn uncontrollably the ZUMEX MOVIL can be harmed.

V INSTALLATION AND USE

OPENING OF THE ZUMEX MOVIL

19. Once the ZUMEX MOVIL is placed on a horizontal surface, block it with the provided wedges (see DIAGRAMS).
20. Remove the door and get into it.
21. Unblock the upper lid unscrewing the handle placed on the counter (photo 13).
22. Push the upper lid upwards with both hands as far as possible.
23. Fit the safety rods (photo 14).

INSTALLATION

24. Connect the plug "CETAC" to the external electrical connection of the ZUMEX MOVIL (photo 8), having previously checked that the switches in the electrical panel are in "O" position.
25. Connect the other plug to a base having an earth wire.

The ZUMEX MOVIL has a clean water deposit and a pump for further autonomy, and also an external water connection.

26. If you are going to use the external water connection. Remove the tap (photo 8) and check that water comes in opening a faucet in the sink. If water does not come in, turn the key of the valve placed behind the peel container (see plumbing diagram) to allow the entry of water from outside.
27. If you do not use the external connection, fill de clean water deposit through the filling mouth (photo 15). Connect the pump (see electrical diagram) open a faucet and check that water comes out , if that is not the case, turn, on the opposite way, the valve situated behind the peel container (see plumbing diagram).
28. The ZUMEX MOVIL has an icebox; to empty it you can use a faucet on the inside to which you can access removing the peel container. Also unscrew the drain tap (photo 8).
29. The residual water deposit also has a key and a tap, which is the same as the one for the icebox.

30. To connect/disconnect the lights and pump see the electric diagram. Prevent the pump working while it is empty.

See the DIAGRAMS section for further understanding.

CLOSING OF THE MOVIL ZUMEX

31. If you have a juice squeezing machine installed, dismantle the basket before closing the lid of the ZUMEX MOVIL.
32. Remove the safety rods.
33. Close the upper lid lowering carefully.
34. Block with the handle provided (photo 13), so that it cannot be opened from the outside.
35. First of all disconnect the plug of the supply system and then the connection of the ZUMEX MOVIL.
36. Place the door.

⚠WARNING!!

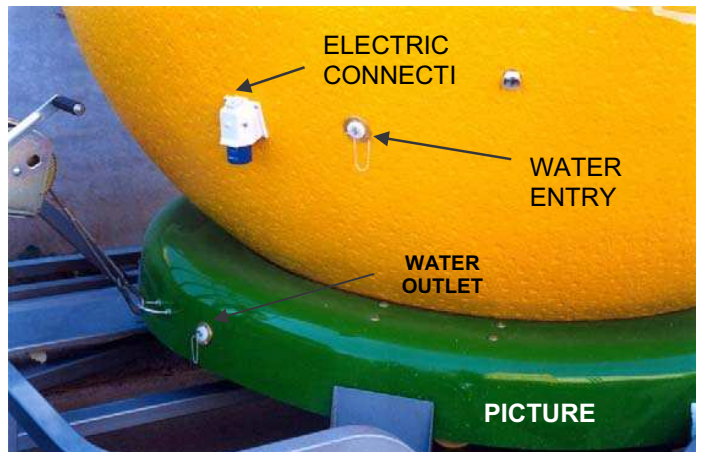
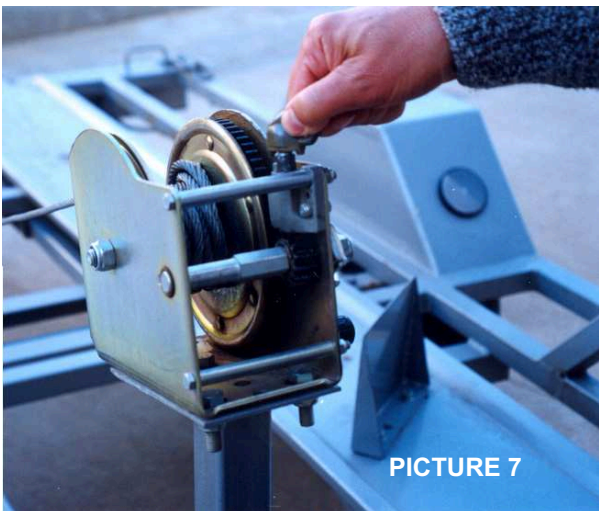
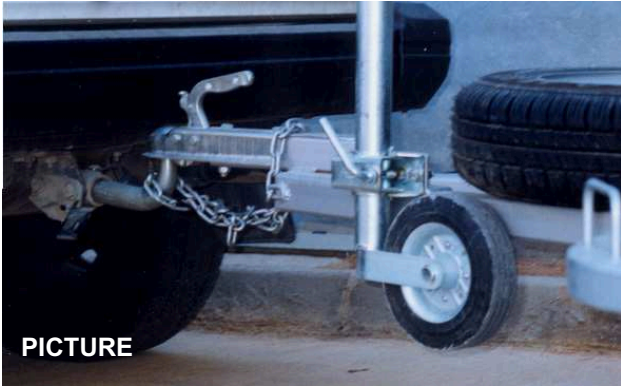
DURING TRANSPORT

Make sure that:

- The slings are tense and anchored on the four points.
- The ZUMEX MOVIL is tied with the wire.
- The central screw is on its place and screwed to the full.
- The four closing devices of the tow are secured.
- The closing device of the ball is placed properly and secured and the chain placed.
- The lights of the tow work properly.
- Take into account all the provisions of the Driving code when pulling the tow.

DURING INSTALLATION

- Block the ZUMEX MOVIL to avoid untimely displacements.
- If it is windy, it might be dangerous to have the ZUMEX MOVIL opened. Under these circumstances close it as a safety means.
- Secure the upper lid with the rods.

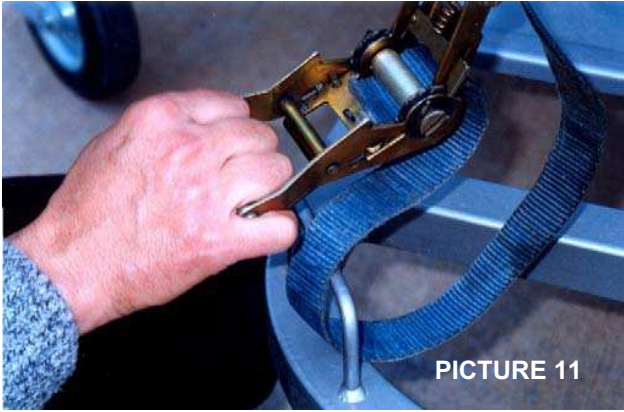




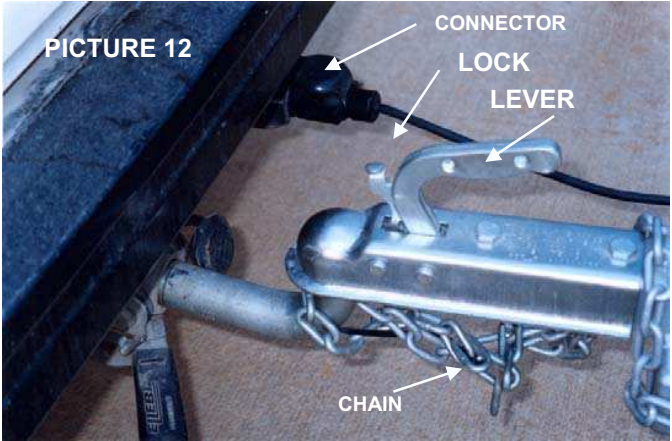
PICTUR



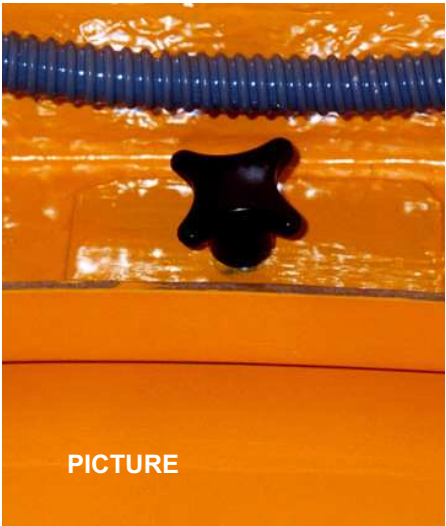
PICTURE 10



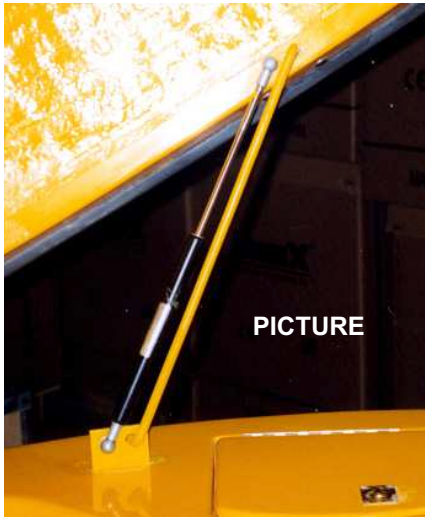
PICTURE 11



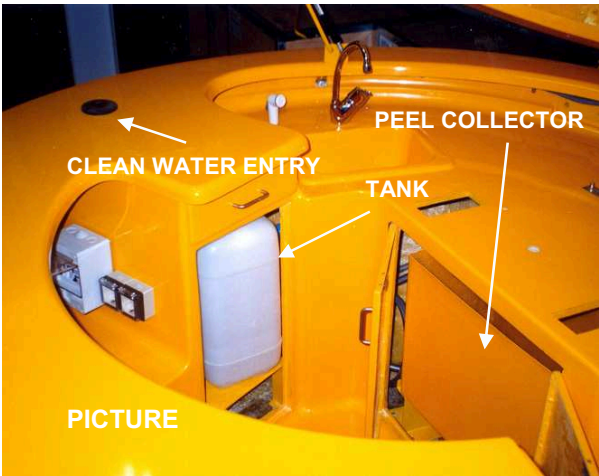
PICTURE 12



PICTURE

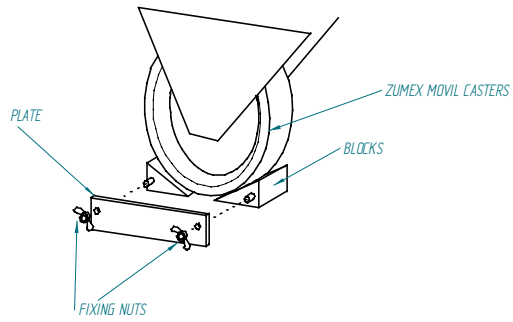


PICTURE

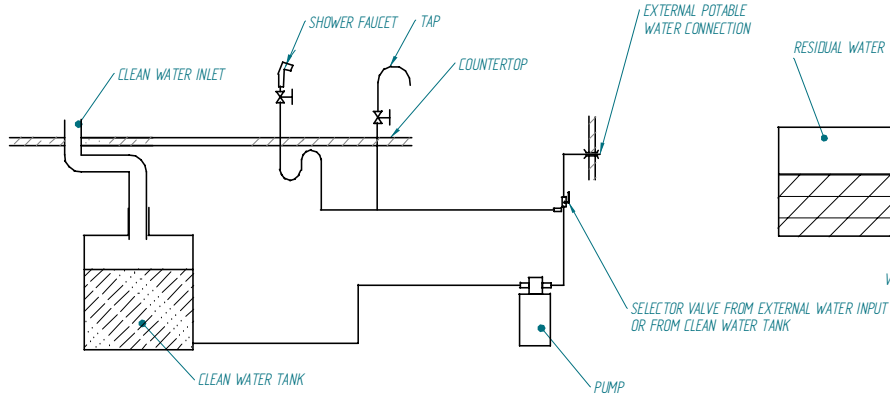


PICTURE

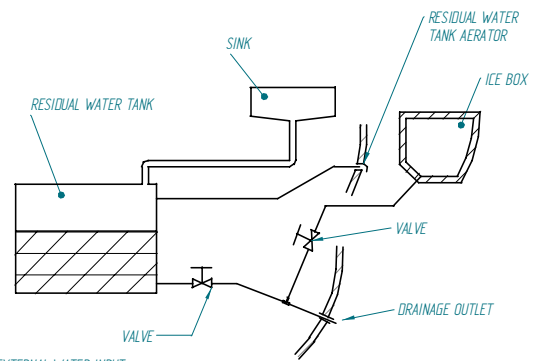
ZUMEX MOVIL BLOCKING



CLEAN WATER CIRCUIT



DRAIN CIRCUIT



ELECTRIC DIAGRAM

